

Technical characteristics

- Flow rates: from 0.4 to 54 l/h
- Max back pressure: up to 20 bar
- Power supply:
 - 100÷240 Vac - 50/60 Hz
- Stroke rate: from 120 to 300 strokes/minute
- Pump head:
 - PVDF
- Diaphragm: PTFE
- External Enclosure: PP reinforced with fiber glass
protection degree IP65
- Manually priming valve
- Installation kit: Included

Seko MaximaEVO MPG Series is the digital interface version of MAG model:

- constant flow rate manually adjustable
- proportional flow rate according to an external analogic (4-20 mA) or digital signal (water meter)
- management of the digital signal:
 - division mode ($1 \div 999 = n$)
 - multiplication mode ($n = 1 \div 999$)
- Pacing function adjustable by dip switch
- Timer function
- ppm proportional dosing
- Statisc
- Password
- Input On-Off (remote control)

Also with this pump, with only 5 sizes, is possible to cover a wide range of performances, having a flow rate range from 0.4 to 54 l/h and a back pressure from 0.1 to 20 bar. The power supply is 100÷240 Vac – 50/60 Hz therefore the same pump can operate with different supply voltage. The standard pump head is in PVDF, therefore high chemical compatibility with several liquids end. MaximaEVO MPG series is equipped with a manually priming pump for the start up.

The pump is furnished with a complete standard installation kit, which includes: PVDF foot filter and injection valve, PVC suction tube, PE delivery tube.

PUMP KEY CODE

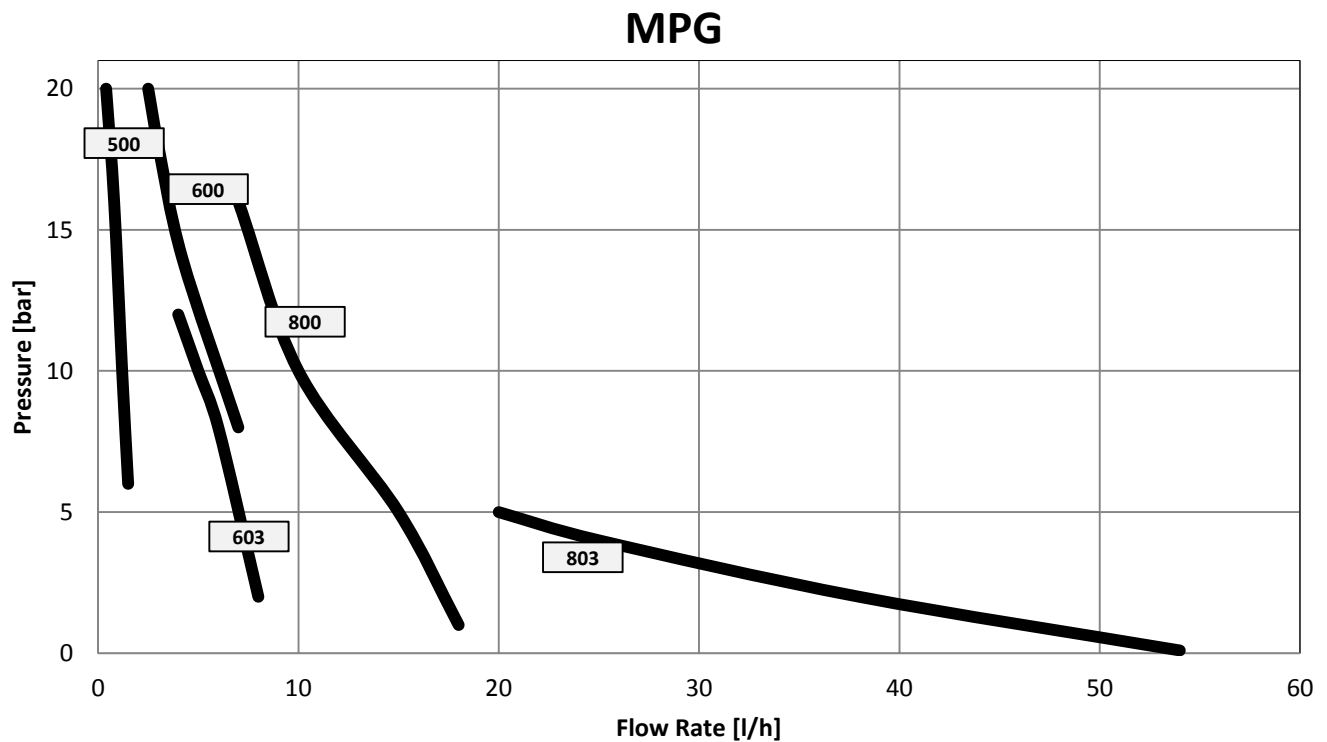
1°	Model				
MPG	Digital dosing pump with constant flow rate manually adjustable, with proportional flow rate according to an external analog signal (4÷20 mA) or digital signal (water meter). functionality. Pacing function adjustable by dip switch. Timer function. ppm proportional dosing. Statistic. Password. Input ON-OFF (remote control).				
2°	Hydraulic				
Model	<i>Pressure [bar]</i>	<i>Flow rate [l/h]</i>	<i>Stroke/min</i>	<i>cc/stroke</i>	
500	20	0,4	120	0,06	
	16	0,8		0,11	
	10	1,2		0,17	
	6	15		0,21	
600	20	2,5	120	0,35	
	18	3		0,42	
	14	4,2		0,58	
	8	7		0,97	
603N	12	4	160	0,42	
	10	5		0,52	
	8	6		0,63	
	2	8		0,83	
603O	7	2	160	0,21	
	5	6		0,62	
	0,2	15		1,56	
800	16	7	300	0,39	
	10	10		0,55	
	5	15		0,83	
	1	18		1,00	
803	5	20	300	1,11	
	4	25		1,39	
	2	38		2,11	
	0,1	54		3,00	
3°	Stroke Regulation				
N	NO Regulation				
4°	Power supply				
N	100÷240 Vac - 50/60 Hz				
O	24÷48 Vac - 50/60 Hz (only for APG603)				
5°	Liquid end				
	<i>Pump head</i>	<i>Connection</i>	<i>Balls</i>	<i>Diaphragm</i>	
H	PVDF	PVDF	Ceramic	PTFE	
P*	PVC	PVC	Ceramic	PTFE	
	*Head pump with automatic degassing valve, only for 603 and 800 series				
6°	Installation kit				
H	PVDF				
7°	Seals				
0	FPM				
1	EPDM				
8°	Market				
0	Standard				
9°	RAL color				
	Hydraulic	Electronic			
B	5010	7004			
10°	Optional				
0	Standard				

MPG	603	N	N	H	H	0	0	B	0
-----	-----	---	---	---	---	---	---	---	---

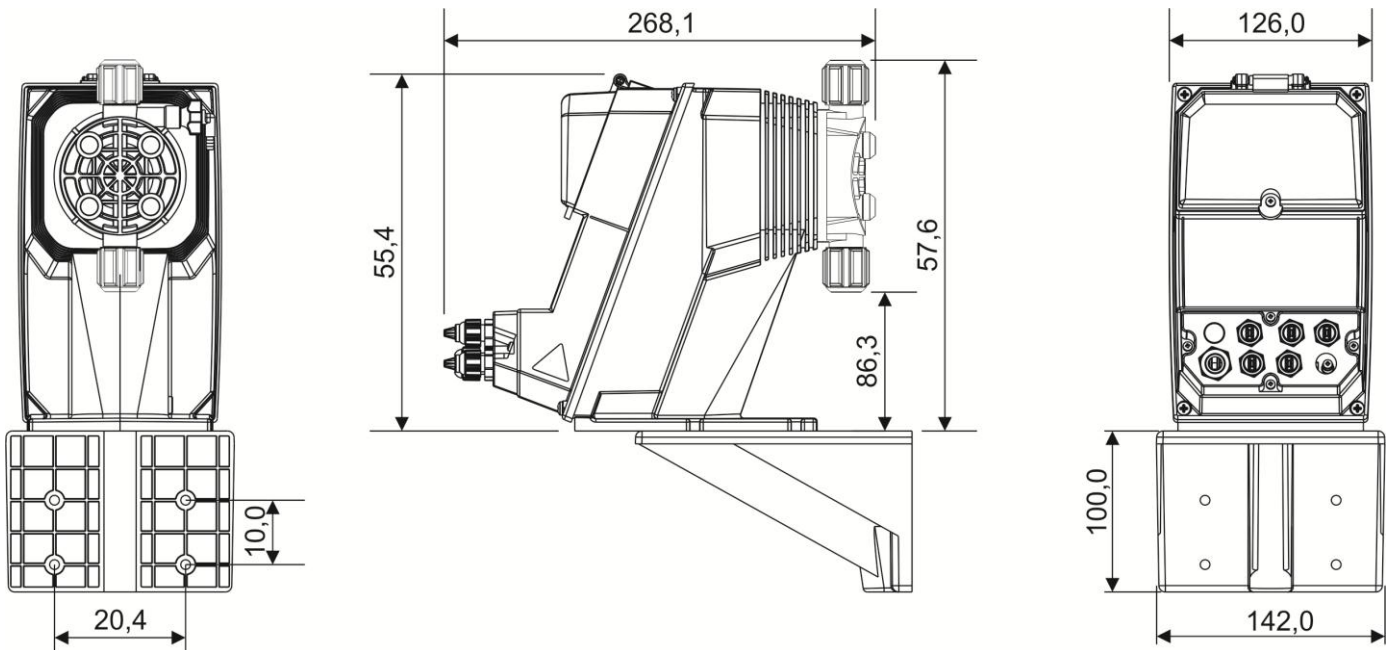
HYDRAULIC CHARACTERISTICS

Pump Model	Pressure [bar]	Flow Rate [l/h]	Frequency max [stroke/min]	Stroke capacity [cc/stroke]	Connection [mm]		Power supply	Consumption [W]	
					Suction	Discharge		Min*	Max
MPG500N	20	0,4	120	0,06	4/6	4/7	100÷240 Vac	8	14
	16	0,8		0,11					
	10	1,2		0,17					
	6	1,5		0,21					
MPG600N	20	2,5	120	0,35	4/6	4/7	100÷240 Vac	8	15
	18	3		0,42					
	14	4,2		0,58					
	8	7		0,97					
MPG603N	12	4	160	0,42	4/6	4/6	100÷240 Vac	15	18
	10	5		0,52					
	8	6		0,53					
	2	8		0,63					
MPG800N	16	7	300	0,39	4/6	4/6	100÷240 Vac	15	26
	10	10		0,56					
	5	15		0,83					
	1	18		1,00					
MPG803N	5	20	300	1,11	8/12	8/12	100÷240 Vac	15	25
	4	25		1,39					
	2	38		2,11					
	0,1	54		3,00					

*Minimum consumption at 0 bar of backpressure (Patented)



DIMENSIONS



INSTALLATION KIT

- PVDF foot filter
- PVDF injection valve
- PVC suction tube (4 m)
- PE delivery tube (2 m)

WALL FIXING BRACKET AVAILABLE

